

A PERFECT MATCH



**CARD LOGISTICS &
CARD MAILING:
WATERMILL & PACE**

✓ **MODULAR,
RELIABLE, SECURE**

✓ **PAY AS YOU
GROW**

✓ **FUTURE-PROOF
INVESTMENT**

✓ **SEAMLESS
INTEGRITY**

✓ **EFFICIENCY &
AUTOMATION**

Besides insurers, telecom suppliers and energy providers, the financial services sector is still heavily reliant on printed customer communication despite increasing digitization. Speed, integrity and flexibility are crucial here. Security is also a must for state printing offices when mailing official documents. BOWE SYSTEC inserting and card mailing systems are specifically geared towards meeting these requirements and towards managing transactional communications such as bills, statements or the mailing of personalized plastic cards and electronic passports securely and efficiently. Fully automated pre-sorting and attaching of cards or the ability to include a wide range of enclosures or create a White Paper Factory - discover the benefits of our modular solutions!

IF RELIABILITY AND FLEXIBILITY MATTER TO YOU



PACE AT A GLANCE

PACE 4



Low to medium volumes



Outstanding price-performance ratio



Future-proof investment thanks to modular design

PACE 9



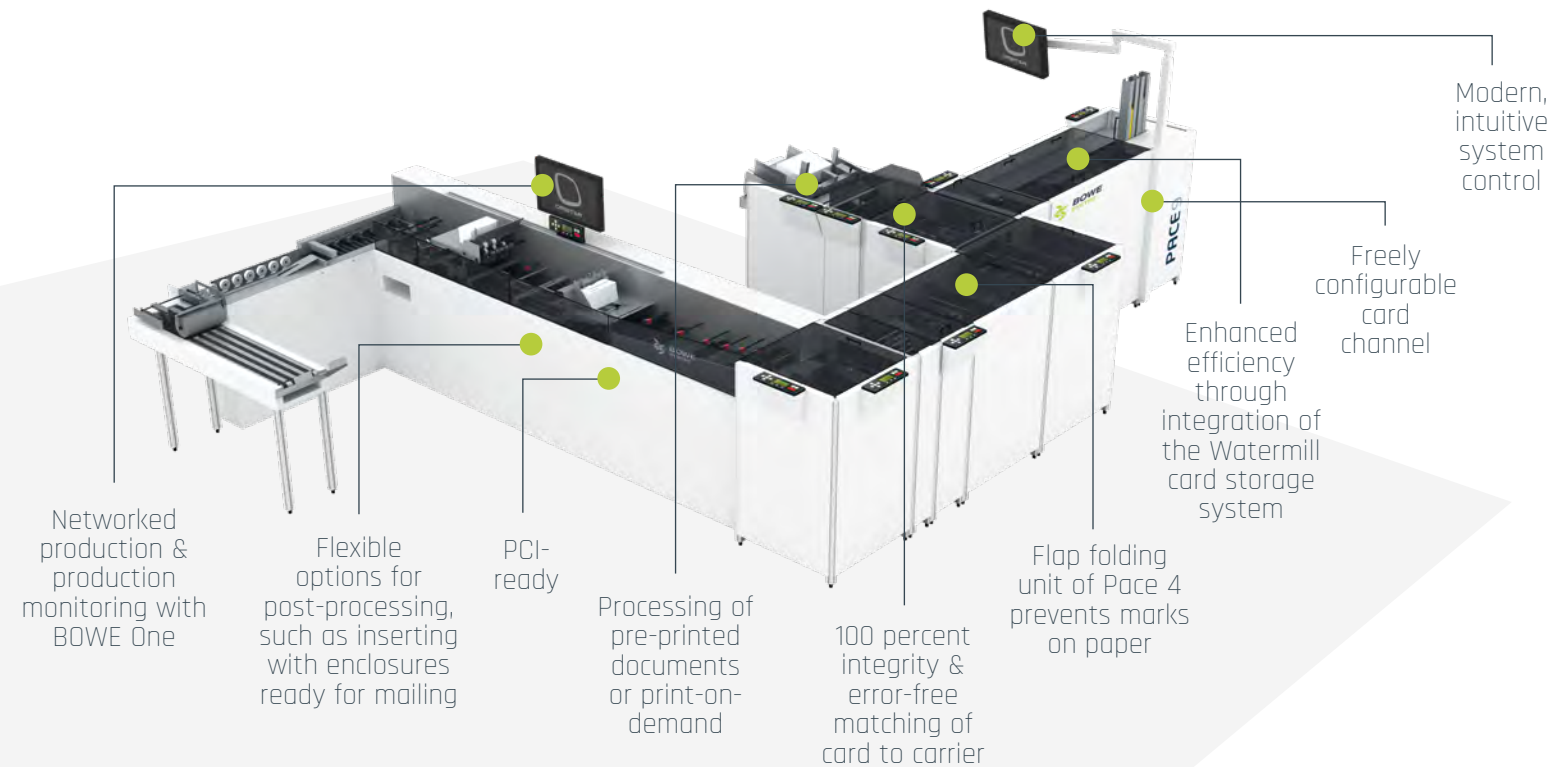
High volumes



Maximum flexibility



Full utilization of performance capabilities



Processes a wide range of card applications fast, securely and efficiently



Freely configurable card channel and flexible attaching station



Modular concept allows the system to grow with increasing production volumes



Maximum integrity throughout the entire production process



Processing of pre-printed documents or option of integrating different kinds of printers



Future-proof investment thanks to modular design

BRINGING TOGETHER WHAT BELONGS TOGETHER

BOWE SYSTEC card mailing systems allow plastic cards and electronic passports to be sent to their recipients quickly and reliably. They guarantee an exact match between the card and the carrier document as each card is attached fully automatically to the right document, which can be inserted ready for mailing with enclosures if required. Our modular Pace card mailing system is unique in its ability to grow along with our customers' processing volumes.

Send personalized plastic cards or e-passports to the card holder with 100 percent security and find out more about our scalable card mailing systems. Discover our answer to declining batch sizes: reduce manual changeovers, optimize card sequences and improve card mailing system utilization with the Watermill card storage system.

100 PERCENT CORRECT

With billions of error-free scans we have been meeting the stringent security and quality standards of banks, insurers and the public authorities for decades. Take advantage of our Track & Trace know-how, which stretches back for over 30 years.

MORE ABOUT OUR SOFTWARE
BOWE.COM/IQ



PACE AT A GLANCE

PACE 4



Low to medium volumes



Outstanding price-performance ratio



Future-proof investment thanks to modular design

PACE 9



High volumes



Maximum flexibility



Full utilization of performance capabilities

A CARD MAILING SYSTEM THAT GROWS WITH YOUR NEEDS

Are you looking for a flexible card mailing system that adapts flexibly to your needs at any time? If so, then Pace's clever, modular design makes it just the system for you. Pace is fully modular in design and can be upgraded whenever necessary, meaning we can offer our customers solutions that are precisely tailored to their requirements and that future-proof their investment. Why pay for more than you actually need? Pace 4, the compact, basic version of the system, is the ideal entry-level machine for card processing and perfectly suited to smaller production volumes. Pace 4 can be upgraded at any time as your requirements change. If a powerful card mailing machine is called for in order to handle higher job volumes, Pace 9 is the best solution for you.

PACE4

PACE 4

MODULAR ENTRY-LEVEL SYSTEM WITH A SMALL FOOTPRINT



Low to medium volumes



Outstanding price-performance ratio



Future-proof investment thanks to modular design

TECHNICAL SPECIFICATIONS

Document formats	A4 US Letter
Max. speed	4,000 cards/h
Card format	85.60 x 53.98 mm
Max. card thickness	1.2 mm
Card materials	PVC, ABS, PC, PET-G
Number of cards per carrier	0 - 4 cards
Card feed	Serial parallel selective
Flap folding unit	C-, Z- or single fold

PACE9

PACE 9

FLEXIBLE HIGH PERFORMANCE MACHINE



High volumes



Maximum flexibility



Full utilization of performance capabilities

TECHNICAL SPECIFICATIONS

Document formats	A4 US Letter
Max. speed	9,000 cards/h
Card format	85.60 x 53.98 mm
Max. card thickness	1.2 mm
Card materials	PVC, ABS, PC, PET-G
Number of cards per carrier	0 - 4 0 - 6 cards if carrier not folded
Card feed	Serial parallel selective
Pocket or plough folding unit	C-, Z- and single fold

PACE AT A GLANCE

PACE 4



Low to medium volumes



Outstanding price-performance ratio



Future-proof investment thanks to modular design

PACE 9



High volumes



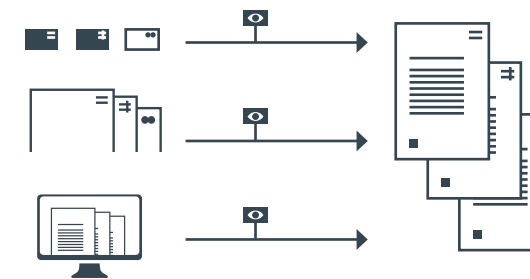
Maximum flexibility



Full utilization of performance capabilities

SECURITY ALLOWS NO COMPROMISE

When mailing official documents that contain personal or sensitive information, integrity and data protection are of utmost importance. Our inserting and card mailing systems are not just outstanding in their performance and flexibility; their state-of-the-art software means that they can meet the most stringent security and data protection requirements. Seamless tracking of all items as well as continuous monitoring of the entire production process in our Pace card mailing systems ensure maximum integrity. Reading units guarantee reliable identification of cards and documents and ensure that each card is attached to the right document. Incorrectly matched or faulty cards and carriers are automatically ejected. Pace systems are PCI-ready and interference during the production process is prevented by special security mechanisms.



PACE CAN HANDLE ALMOST ANYTHING

From voucher or prepaid cards to credit cards for bank customers, identity cards, electronic passports or driving licenses, either embossed or unembossed and with or without a chip – the Pace card mailing system ensures personalized or unpersonalized plastic cards reach the card holder quickly and reliably. The cards can be made from PVC, ABS, PC or PET-G, measuring 85.60 x 53.98 mm, and be from 0.45 to 1.2 mm thick.



PACE AT A GLANCE

PACE 4

-  Low to medium volumes
-  Outstanding price-performance ratio
-  Future-proof investment thanks to modular design

PACE 9

-  High volumes
-  Maximum flexibility
-  Full utilization of performance capabilities

We offer multiple feed options for each of our products in the inserting and card mailing segment. Only if you configure the infeed channel correctly will you ultimately achieve the desired output. We offer a wide range of standard infeed channels in different performance classes for both cut-sheet and continuous processing that can be matched to your individual requirements. What's more, by integrating a digital high speed printer, you can turn the system into a White Paper Factory for card mailing, with all the advantages that brings.

THE WHITE PAPER FACTORY IN CARD MAILING



ONLINE OR OFFLINE?

Whereas in systems without a printer, both cards and documents are personalized offline in an upstream production step and then fed into the system and merged in the same sequence, online processing with an integrated printer promises simplified logistics with reduced staffing requirements. Since, with this approach, the relevant documents are not sent for printing until after the card in question has been read, plastic cards can be fed in in any sequence. Online processing, which can be used for both cut-sheet and continuous


applications, doesn't just allow you to optimize the production of numerous different, small jobs. Reprints, too, can be initiated directly in the system if required. Keeping stocks of preprinted documents becomes a thing of the past, along with the associated logistics. And, on top of that, you also score by being able to address your customers individually and offer them personalized content.

PACE AT A GLANCE

PAGE 4

 Low to medium volumes


 Outstanding price-performance ratio

 Future-proof investment thanks to modular design

PAGE 9

 High volumes

 Maximum flexibility

 Full utilization of performance capabilities

MAXIMUM PRODUCTIVITY

THANKS TO FULLY AUTOMATIC SORTING

There is a clear trend towards processing cards in ever smaller batch sizes amongst both banks and service bureaus. This often results in demanding and costly manual sorting processes as well as card mailing systems that are not utilized to their full capacity. BOWE SYSTEC developed the Watermill mass storage system in order to generate optimal card sequences for manual output or mailing. The Watermill system can operate on a stand-alone basis or be integrated into BOWE SYSTEC card mailing systems.

The Watermill card storage system allows a multitude of unsorted personalized or unpersonalized plastic cards from different jobs to be loaded in any order by the operator and then dispensed in the right sequence for down-

stream processing according to the customer's database. This means that time-consuming and error-prone manual pre-sorting into individual jobs as well as frequent changeovers due to a large number of small jobs all become a thing of the past.

The Watermill module can be retrofitted to existing BOWE SYSTEC card mailing systems at any time or used as a stand-alone solution. Watermill is available with either three or six storage magazines, allowing it to hold up to 1,890 or 3,780 cards.

TECHNICAL DATA

Max. storage capacity	1,890 cards (3 storage magazines) 3,780 cards (6 storage magazines)
Card format	85.60 x 53.98 x 0.76 mm 3 3/8" x 2 1/8" x 0,03"
Card materials	PVC, ABS, PC, PET-G
Reading	OCR, 1D barcode, 2D code (data matrix), magnetic strip LoCo/HiCo, contact/contact-free chip
Configurations	Stand-alone integrated

THE WATERMILL IN USE



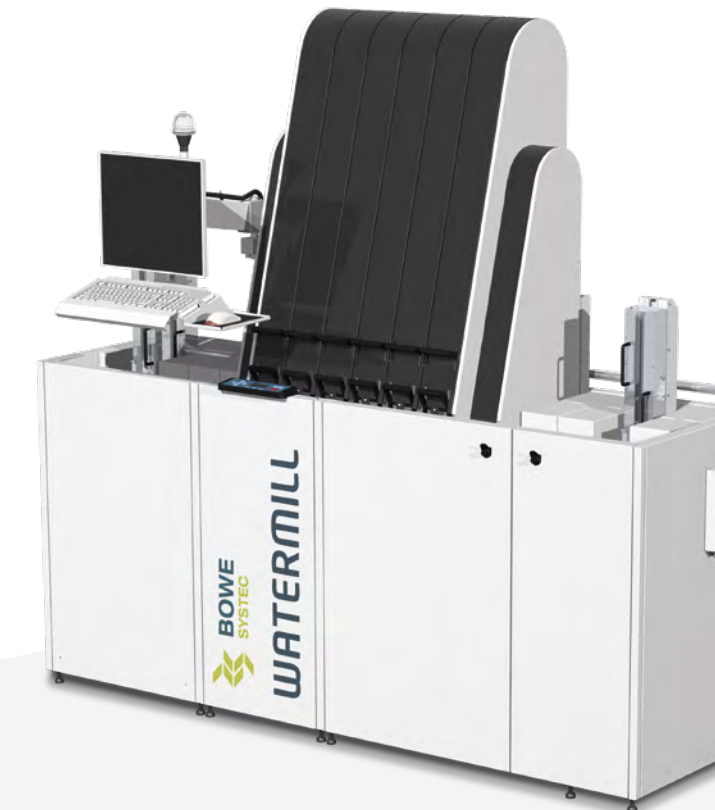
When integrated into the production process, Watermill allows all cards intended for a particular recipient to be attached to the same carrier document regardless of type, for example, thus saving on postage.



Mismatched or faulty cards and carriers are usually automatically ejected, but as an alternative the Watermill can be used as a card buffer. If a card doesn't match the carrier or if the carrier document is ejected, then the plastic card can be held back and temporarily parked in the Watermill card storage system until the right document is available.



As a stand-alone system, the Watermill can, among other things, be used as a mini vault to allow frequently required types of card to be dispensed rapidly.



PACE AT A GLANCE

PAGE 4



Low to medium volumes



Outstanding price-performance ratio



Future-proof investment thanks to modular design

PAGE 9



High volumes



Maximum flexibility

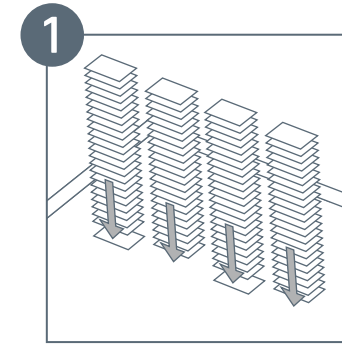
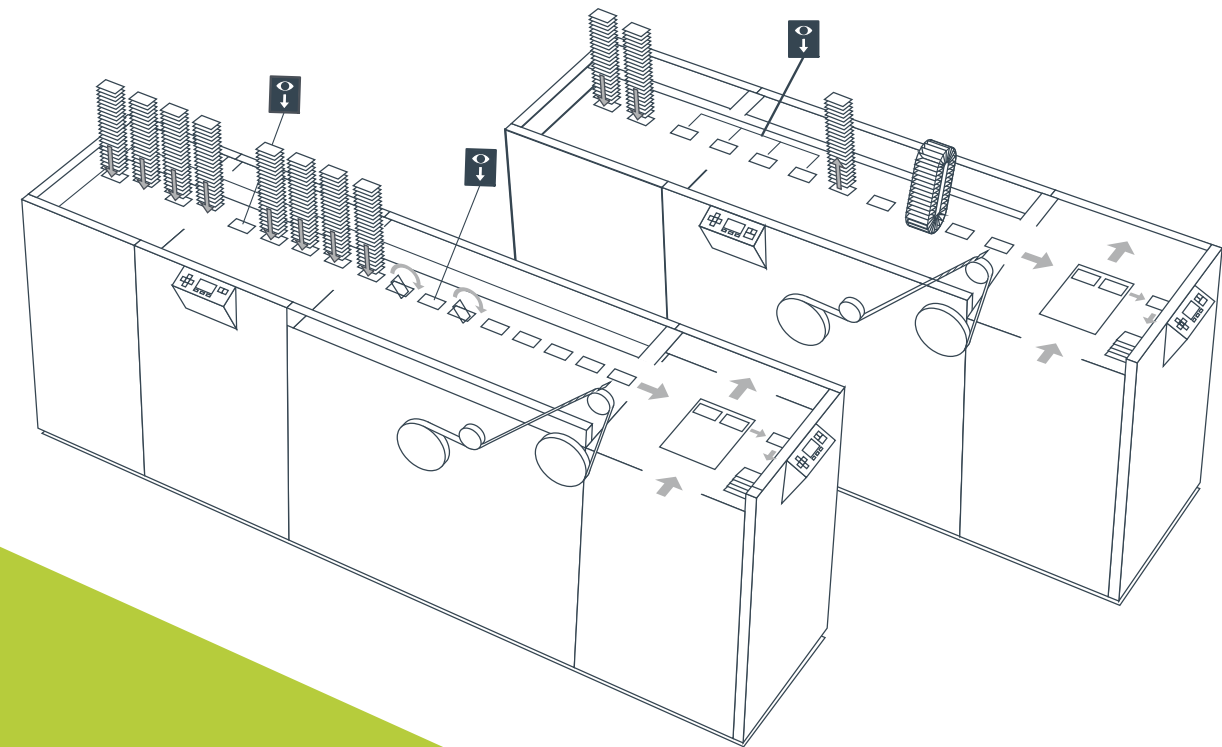


Full utilization of performance capabilities

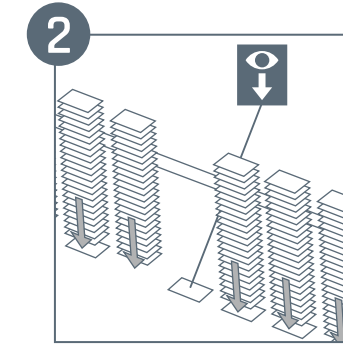
CARD CHANNEL & ATTACHING STATION

THE HEART OF PACE

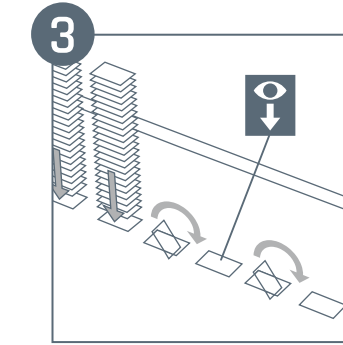
The card channel and attaching station together form the central unit of the Pace card mailing system. The freely configurable card channels are available with 11 or 16 stations and can each be individually fitted with feeder magazines, various readers, turning units, restacking magazines, a card buffer and a mass storage device as well as labeling or gluing modules. The attaching station reliably attaches up to 4,000 or 9,000 cards per hour to the corresponding carrier documents. The position of the cards on the documents can vary and the cards can also be rotated $\pm 90^\circ$ if required.



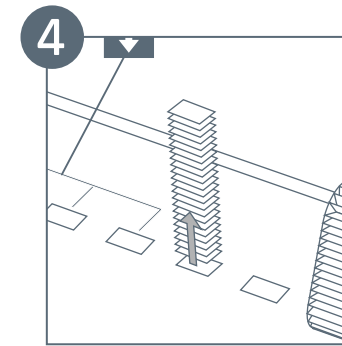
Feeder magazine



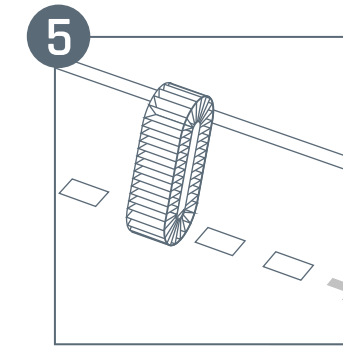
Card reader (optical, chip, magnetic strip)



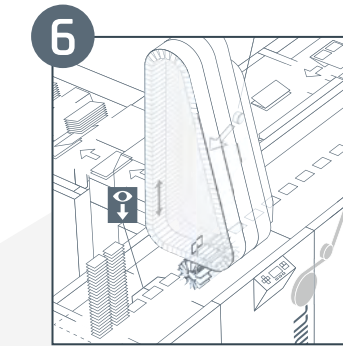
Card turn-over



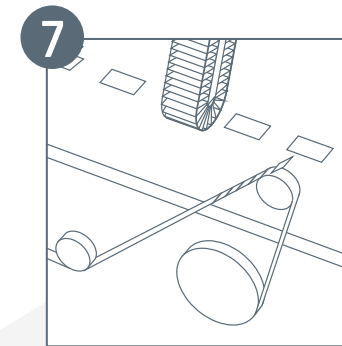
Restacking magazine



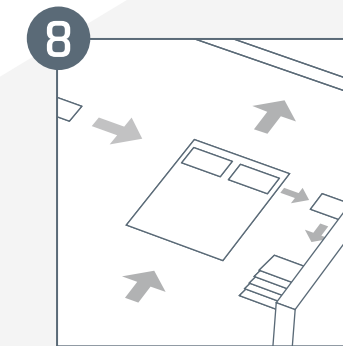
Card buffer



Watermill card storage system



Various options for attaching cards



Attaching station

PACE AT A GLANCE

PACE 4

Low to medium volumes

Outstanding price-performance ratio

Future-proof investment thanks to modular design

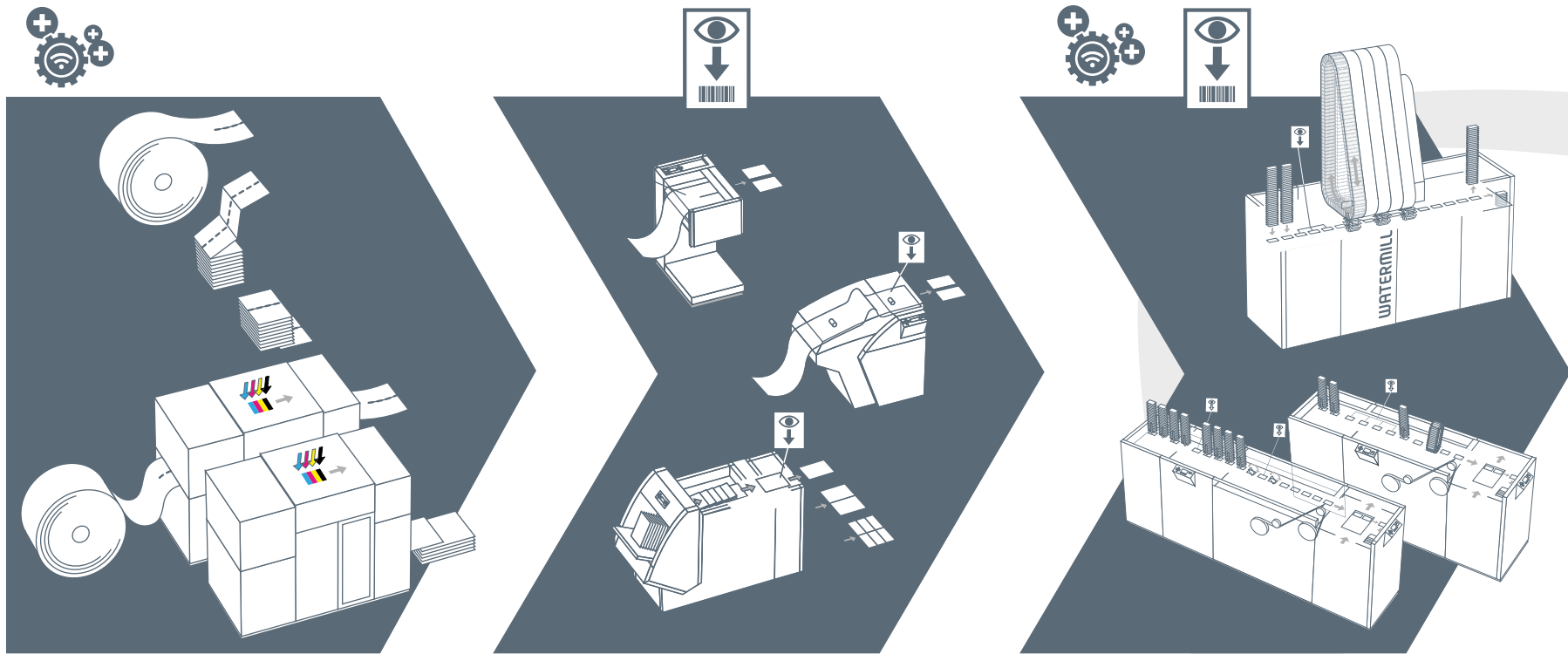
PACE 9

High volumes

Maximum flexibility

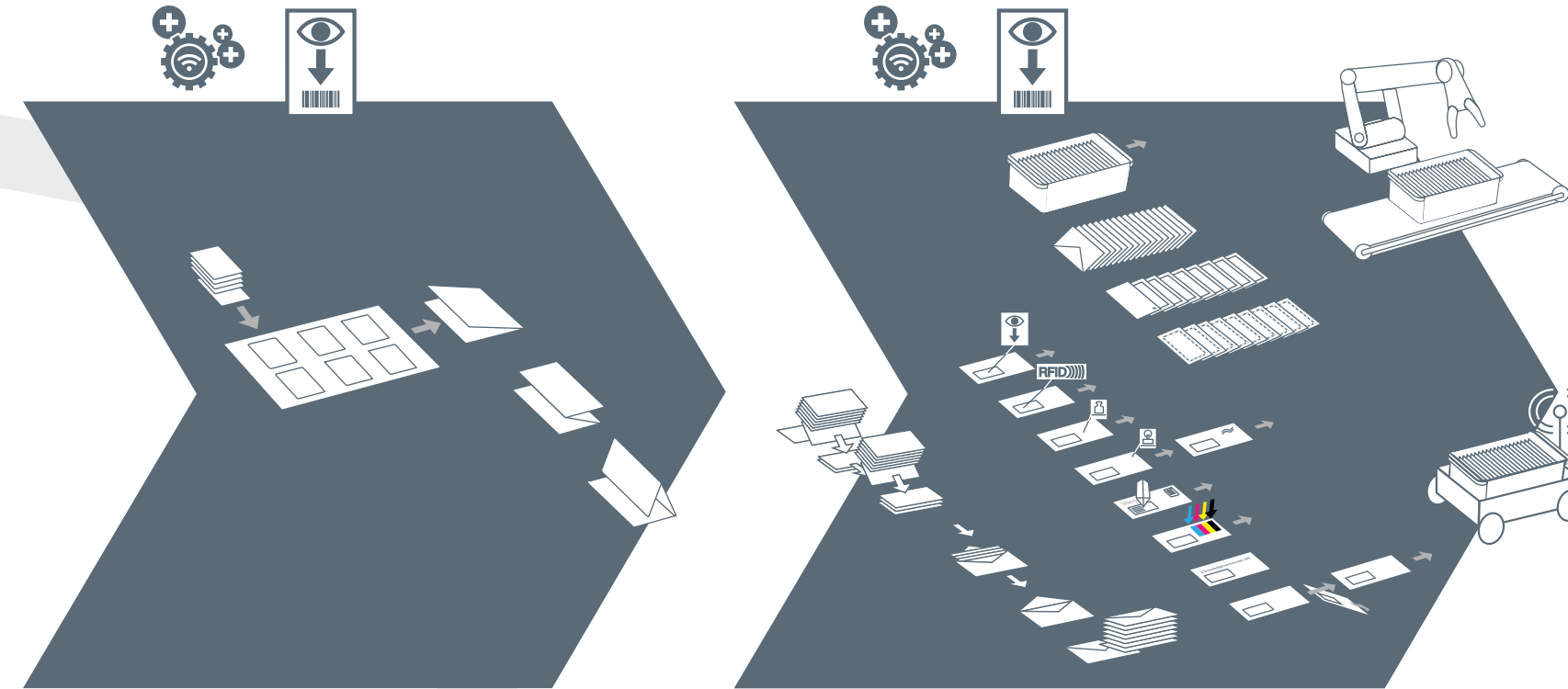
Full utilization of performance capabilities

*Some features optional, not available for all systems.



Highly flexible document feeding

Secure and automated card feeding



Flexible attachment of up to six cards per carrier document

Numerous options for post-processing and further automation

COMPREHENSIVE CARD LOGISTICS

From standard applications to complex letters with varying card positions and types, different paper formats and layouts, individual texts and variable or personalized sets of enclosures – our Pace card mailing systems offer the right solution for every requirement. Fully modular in design, they can be upgraded or retrofitted any time if the requirements of your production processes change. You can also automate, one by one, working steps that were previously carried out manually and reduce the need for additional staff, for example by introducing Watermill card storage, driverless vehicles or robots.

FLEXIBLE SOFTWARE SOLUTIONS

BOWE IQ's smart and flexible software solutions across its entire product range – from intuitive machine control via the modern software platform Orbiter through production monitoring to process optimizing warehouse management systems – mean that you are ideally positioned to move forward to the production methods of tomorrow.



Process optimizing software (Warehouse Management Systems)

PACE AT A GLANCE

PACE 4

- Low to medium volumes
- Outstanding price-performance ratio
- Future-proof investment thanks to modular design

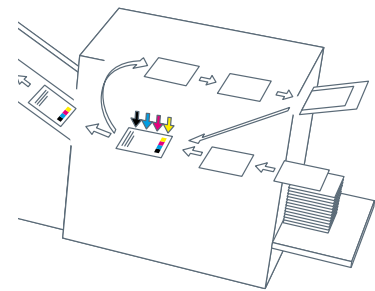
PACE 9

- High volumes
- Maximum flexibility
- Full utilization of performance capabilities

*Some features optional, not available for all systems.

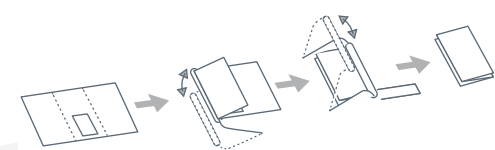
MODULARITY HAS A NAME

The fully modular nature of Pace card mailing systems makes it possible to tailor individual solutions with any desired degree of automation. Discover exciting options that will enable you to use your card mailing system in the way that suits you best.



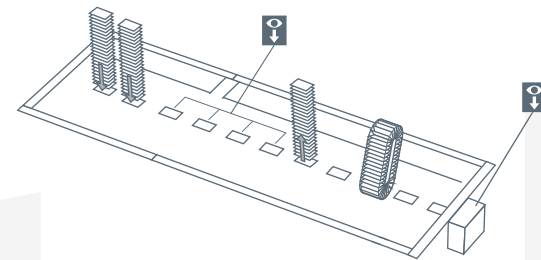
Multi-channel capable White Paper Factory

Whether cut-sheet or continuous processing and whether single or multi-channel solutions: BOWE SYSTEC infeed channels deliver the highest possible card mailing efficiency. By integrating a printer in the infeed in combination with an envelope printing module, you can create a White Paper Factory.



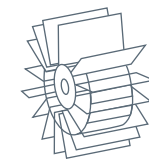
Perfect fold

The Pace 4 flap folding unit can produce a variety of fold geometries in previously undreamed-of quality. This is possible because the folder only applies force in the region of the fold and not to the whole document, meaning that highly embossed cards leave no marks on the carrier paper.



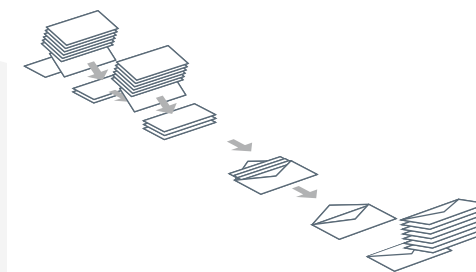
Card Checker

When working with random card sequences, the cards can be scanned by the card checker, so that the print file for the carrier documents is automatically generated in the right sequence. In the same way, it is also possible to produce a correction file that allows any cards not required to be diverted out of the current production process.



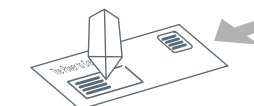
Correct sequence

The sequence wheel is like the Watermill's little sister. Its 7-position buffer allows the sequence of plastic cards currently being processed to be adjusted to match that of the documents.



Ready-to-go mailings

In combination with a self-mailer or an inserting system, Pace offers a flexible solution for the production of ready-to-go mailings containing cards. For example, flexible feeding of enclosures during the inserting process allows cards and covering letters to be individually assembled, inserted and made ready for mailing.



Smart post-processing

A multitude of clever post-processing features round off what Pace has to offer, for instance color printing of filled envelopes. An integrated dynamic scale at the end of the inserting process weighs the envelope to check that the correct number of cards have been attached.

*Some features optional, not available for all systems.

PACE AT A GLANCE

PACE 4



Low to medium volumes



Outstanding price-performance ratio



Future-proof investment thanks to modular design

PACE 9



High volumes



Maximum flexibility



Full utilization of performance capabilities

CARD MAILING THE INTELLIGENT WAY

Pace card mailing systems are controlled by intuitive software, eliminating the need for complex system programming. The transparent design of the BOWE IQ software for all BOWE SYSTEC systems, its ease of use and the fact all the systems can be networked with each other lay the foundation for substantial productivity gains. Jobs can be prepared or switched within minutes, and processes monitored and improved across systems and locations. Database-controlled production also means that you know where any item is at any time. 100 percent integrity guaranteed.



MORE ABOUT OUR SOFTWARE DIVISION
BOWE IQ



PACE AT A GLANCE

PACE 4

-  Low to medium volumes
-  Outstanding price-performance ratio
-  Future-proof investment thanks to modular design

PACE 9

-  High volumes
-  Maximum flexibility
-  Full utilization of performance capabilities





24/7

BY YOUR SIDE WORLDWIDE

A high-quality product requires first-class service. That's why we cover the world for you from our Headquarters in Augsburg and through our network of about 20 subsidiaries and over 50 general representatives across the globe. Our local service presence helps you maximize your productivity and minimize your downtime. BOWE SYSTEC gives you a dedicated contact who speaks your language and is reachable 24/7. Short travel distances also mean quick, unbureaucratic support. We are by your side anywhere in the world to make sure your card mailing center or service bureau keeps on running.

**FIND YOUR
LOCAL CONTACT
HERE**



LEGAL NOTICE

BÖWE SYSTEC GmbH
Werner-von-Siemens-Str. 1
86159 Augsburg | Germany
Phone +49 821 5702-0
Fax +49 821 5702-234
info@bowe.com
www.bowe.com

Managing Director: Joachim Koschier

Registered Office: Lübeck
Company Registration No.: HRB 10736 HL

VAT Reg. No. in accordance with section 27 a
Value Added Tax Law: DE 274185634

Responsible for content in accordance
with § 18 (2) of the German Interstate
Media Treaty (MStV): Joachim Koschier

All rights reserved. Errors and omissions excepted.
Images for guidance only.

© BÖWE SYSTEC GmbH

PACE AT A GLANCE

PAGE 4

-  Low to medium volumes
-  Outstanding price-performance ratio
-  Future-proof investment thanks to modular design

PAGE 9

-  High volumes
-  Maximum flexibility
-  Full utilization of performance capabilities

SMART AUTOMATION SOLUTIONS

Our smart automation solutions have been optimizing work and production flows for decades in many different industries. Take advantage of our many years of experience in card mailing and card logistics and discover the perfect solution for your requirements.



**MANY YEARS
OF EXPERIENCE**



**FUTURE-PROOF
INVESTMENT**



**BY YOUR SIDE
WORLDWIDE**



**CUSTOMIZED
SOLUTIONS**

VISIT US AT
[BOWE.COM/SYSTE](https://www.bowe.com/systec)C



**MORE INFO AT
BOWE.COM**

developed by
**BOWE
GROUP**